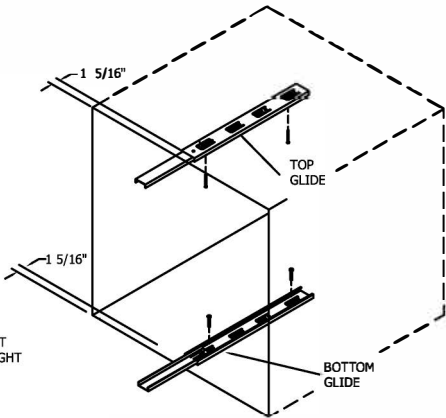
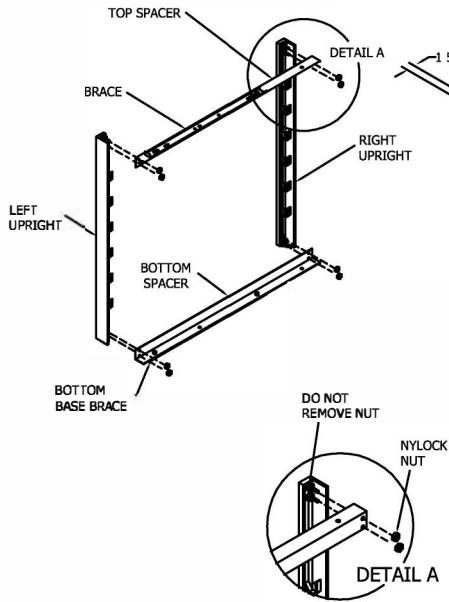


**ASSEMBLY AND INSTALLATION INSTRUCTIONS**  
**CHANNEL MOUNT RACK**  
**MODEL CMRD**  
**21", 24", & 30" SYSTEMS**

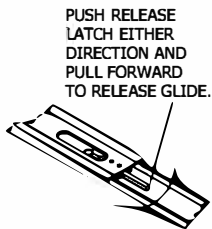
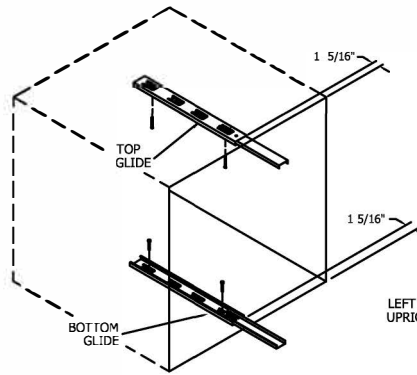
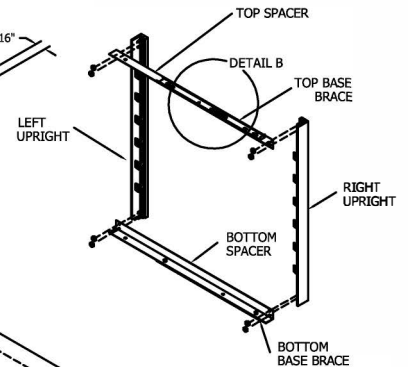
**FIGURE A**  
LEFT HAND ACCESSIBLE



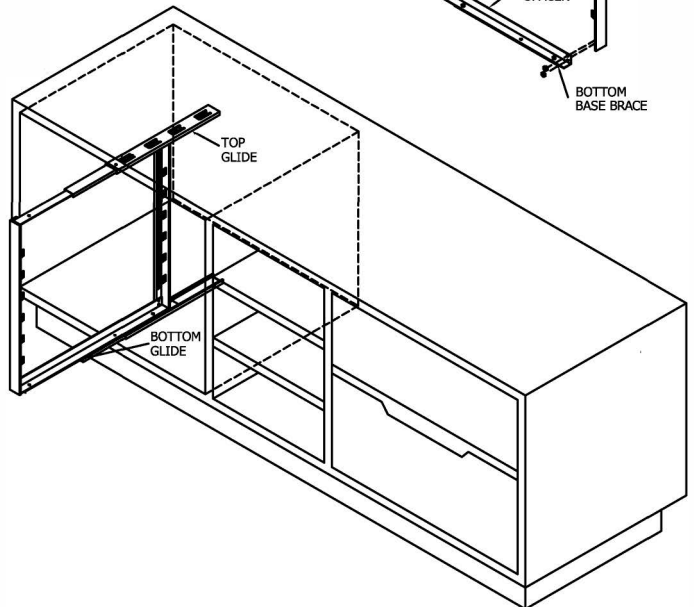
**ASSEMBLY OF RACK UNIT**

1. LAY ALL PIECES ON A FLAT WORKING SURFACE SO THE BLACK HOOKS ARE POSITIONED ON THE INSIDE OF THE RACK.
2. LAY THE TOP AND BOTTOM SPACERS OVER THE BOLTS ALREADY ATTACHED TO THE UPRIGHTS.
3. USE THE NYLOCK NUTS THAT CAME WITH THE PACKAGE TO FASTEN THE SPACERS TO THE UPRIGHTS. (SEE DETAIL A)
4. TIGHTEN ALL NUTS.

**FIGURE B**  
RIGHT HAND ACCESSIBLE



**DETAIL B**



**NOTES TO THE INSTALLER:**

1. THE CHANNEL MOUNT RACK COMES WITH TWO GLIDES
2. REMOVE BASE BRACE FROM BOTH GLIDES BY PUSHING RELEASE LEVER ON BOTTOM OF BASE BRACE (SEE DETAIL B)
3. INSTALL TOP AND BOTTOM GLIDE 1-5/16" BACK FROM THE CASH WRAP OPENING FACE, AND 9" ON CENTER FROM EITHER SIDE OF CASH WRAP OPENING. (MINIMUM OPENING WIDTH 18")
4. IF HANGER BARS ARE TO BE ACCESSIBLE FROM LEFT HAND SIDE OF SALES ASSOCIATE REFER TO FIGURE "A"
5. IF HANGER BARS ARE TO BE ACCESSIBLE FROM RIGHT HAND SIDE OF SALES ASSOCIATE REFER TO FIGURE "B"